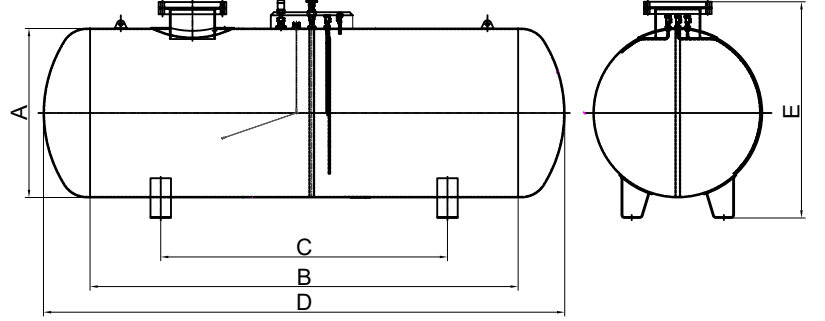


LPG Storage Tanks - Horizontal Yatay LPG Depolama Tankı



TECHNICAL SPECIFICATIONS TEKNİK ÖZELLİKLER

DESIGN CODES DİZAYN KODLARI	AD 2000
	EN 13445
	ASME SEC. VIII DIV.1
DESIGN PRESSURE DİZAYN BASINCI	17,16 Bar
TEST PRESSURE TEST BASINCI	25,74 Bar



PRODUCT CODE ÜRÜN KODU	VOLUME (LITERS) HACİM (LİTRE)	A (mm)	B (mm)	C (mm)	D (mm)	E max (mm)
LHT 1000	1000	800	1750	850	2200	1300
LHT 1800	1800	1000	1800	900	2380	1500
LHT 3000	3000	1200	2250	1100	2975	1700
LHT 3850	3850	1200	3000	1500	3725	1700
LHT 5000	5000	1200	4000	2000	4725	1700
LHT 7000	7000	1600	3000	1500	3900	2160
LHT 10000	10000	1600	4500	3300	5392	2160
LHT 10000	10000	1900	2850	1850	3974	2420
LHT 22000	22000	2350	4500	3300	5745	2850
LHT 40000	40000	2400	8000	4000	9350	2900
LHT 50000	50000	2400	10500	5250	11850	2900
LHT 100000	100000	2950	13500	6750	15170	3500
LHT 115000	115000	3000	15500	7750	17150	3500
LHT 150000	150000	3150	18250	9600	19930	3500
LHT 200000	200000	3500	20000	11000	21950	3600
LHT 250000	250000	3500	24800	12375	26700	3600

Above mentioned items are our standard products, please contact us for different sizes.

Standart ürünlerimiz dışındaki farklı ölçü talepleriniz için lütfen bizimle iletişime geçin.



GBS & Bemmak is a member of KARTAL GROUP